


Part number

CSEM 06



male insert, CSE series, spring terminal connection, 6 poles + PE, 16 A 500 V 6 kV 3, size "44.27"

Product description

Product type	Insert
Series	CSE
Connection type	spring terminal connection
Gender	male
N. of poles	6 poles + 
Size	size "44.27"

Technical data

Current	16 A
Voltage	500 V
Rated impulse withstand voltage	6 kV
Pollution degree	3
Rated voltage according to UL/CSA	600 V
Wire cross-section	0,14 mm ² - 2,50 mm ²
AWG size	26 - 14
Contact type	turned silver plated
IP degree of protection	IP20 without enclosure, IP65/IP66/IP68/IP69 with enclosure

Further technical details

Characteristics according to EN 61984	16A 500V 6kV 3; 16A 400/690V 6kV 2
Mating cycles	≥ 500
Insulation resistance	≥ 10 GΩ
Weight	48,00 g
Operating temperature range (min, max)	-40 °C ... +125 °C
Conductors stripping length	9...11 mm
UL 94 flammability rating	V-0

Material properties

Main material	polycarbonate
Colour	RAL 7032 grey
RoHs conformity	Compliant with exemption 6(c): copper alloy containing up to 4% lead by weight
China RoHs - EFUP	50
REACH SVHC substances	Yes Lead

Approvals / Standards

Reference standard	EN 61984:2009-06
---------------------------	------------------

General ordering information

EAN13 code	8015747094573
ETIM 7.0	EC000438

Packaging Information

Packaging length	270,00 mm
Packaging height	75,00 mm
Packaging width	180,00 mm
Packaging weight	3,26 kg
Packaging volume	3,65 dm ³
Packaging description	Carton box
Packaging quantity	60 Pcs
Packaging EAN code	8015747094580
Sub-packaging length	104,00 mm
Sub-packaging height	36,00 mm
Sub-packaging width	180,00 mm
Sub-packaging weight	0,54 kg
Sub-packaging volume	0,67 dm ³
Sub-packaging description	Carton tray
Sub-packaging quantity	10 Pcs
Sub-packaging EAN barcode	8015747094597

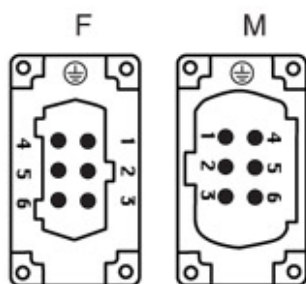
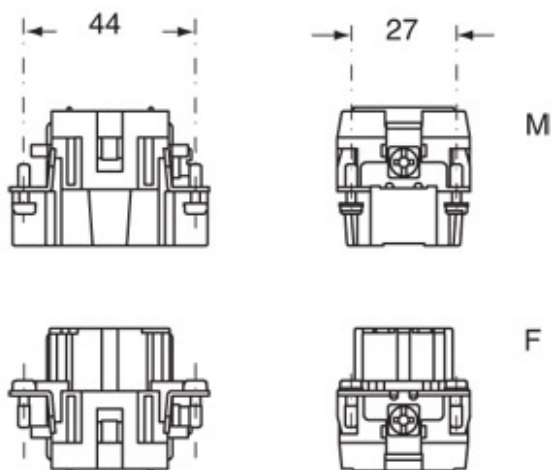
Part number

CSEM 06

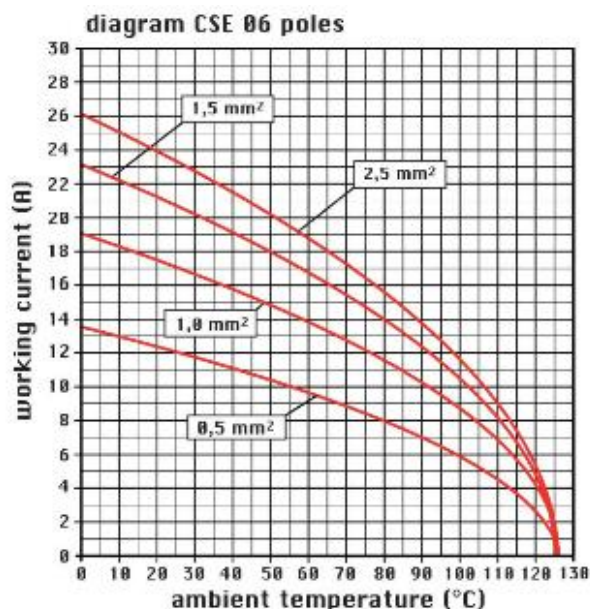


Catalogue drawings

CSEF / CSEM 06



Catalogue drawings



Notes

CSEF/M 06 inserts:

- characteristics according to EN 61984:

(16A 500V 6kV 3)

(16A 400/690V 6kV 2)

- rated voltage according to UL/CSA: 600V

- insulation resistance: > 10 GOhm

- ambient temperature limit: -40 °C ... +125 °C

- are made of self-extinguishing thermoplastic resin UL 94 V0

- mechanical life: > 500 cycles

- contact resistance: < 3 mOhm

- enclosures: size "44.27":

C-TYPE IP65/IP66

C7 IP67 stainless steel lever

V-TYPE IP65/IP66

stainless steel lever

T-TYPE IP65 insulating

JEI zinc-plated steel lever

BIG hoods
W-YPE aggressive environments
EMC
central lever
IP68
- panel supports:
COB
